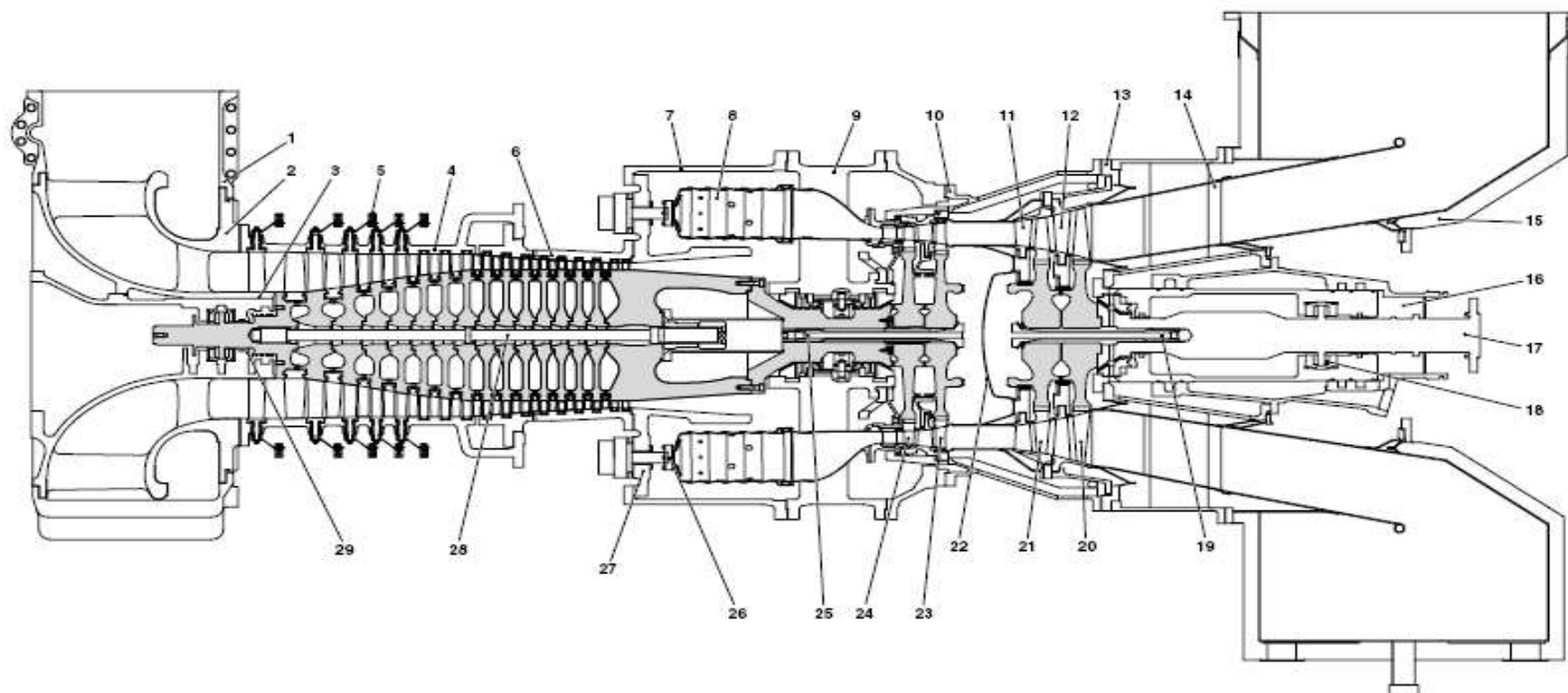


Annexe F : Schéma descriptive de TORNADO.



SECTIONAL ARRANGEMENT - TORNADO (TWIN SHAFT)

- | | | | |
|---|---|--|---|
| 1. Air inlet casing | 9. Compressor turbine bearing support | 16. Power turbine bearing housing assembly | 23. Compressor turbine stage 2 rotor blades |
| 2. Compressor bearing support member | 10. Interduct | 17. Power turbine rotor assembly | 24. Compressor turbine stage 1 rotor blades |
| 3. Compressor inlet bearing housing | 11. Power turbine stage 1 stator assembly | 18. Power turbine thrust bearing | 25. Compressor turbine rotor tension bolt |
| 4. Low pressure compressor stator casing | 12. Power turbine stage 2 stator assembly | 19. Power turbine rotor tension bolt | 26. Combustion Chamber Swifter |
| 5. Variable stator blade mechanism | 13. Power turbine outer casing | 20. Power turbine stage 2 rotor blades | 27. Pressure casing backplate |
| 6. High pressure compressor stator casing | 14. Power turbine diffuser and support assembly | 21. Power turbine stage 1 rotor blades | 28. Compressor rotor tension bolt |
| 7. Centre casing | 15. Exhaust assembly | 22. Inner interduct | 29. Compressor front bearing |
| 8. Combustion chamber | | | |

RT - 1 - 2